

vehicle : C5 (X7)		OPR : 11525	
domain	General points	function	allocation of BFH1 fuses
component			
D3BQ4XP0	CABIN FUSEBOX 5 (BFH1)		

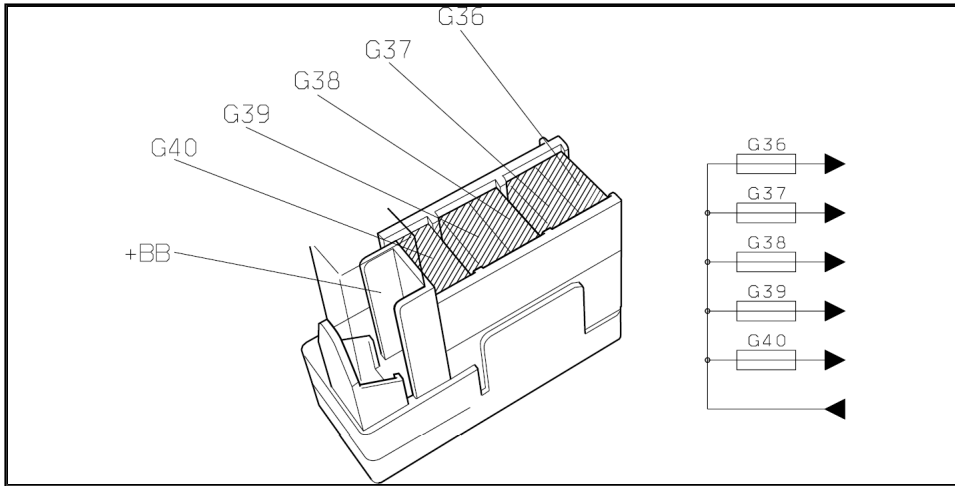


fig. d3ap08fd

cabin fusebox 5 (BFH1)

fuses	A	supply	matching
G36	15A (AM6)	battery +	AM6 automatic gearbox
	30A		AL4 automatic gearbox
G37	10A	battery +	diagnostic socket - Day running lights
G38	3A	battery +	ESP ECU
G39	10A	battery +	electrohydraulic suspension
G40	3A	battery +	brake dual-function switch

